

REV.	ECN.NO.	NAME	DATA
A0	NEW	MIN-D	2020-05-22

SPECIFICATION NOTES:

ELECTRICAL:

1. VOLTAGE RATING: 125 VAC RMS
2. CURRENT RATING: 1.5 AMP
3. CONTACT RESISTANCE: 30mΩ MAX.
4. INSULATION RESISTANCE: 500MΩMIN. AT 500V DC.
5. DIELECTRIC STRENGTH: 1000 VAC 50Hz 1MINUTE

MECHANICAL:

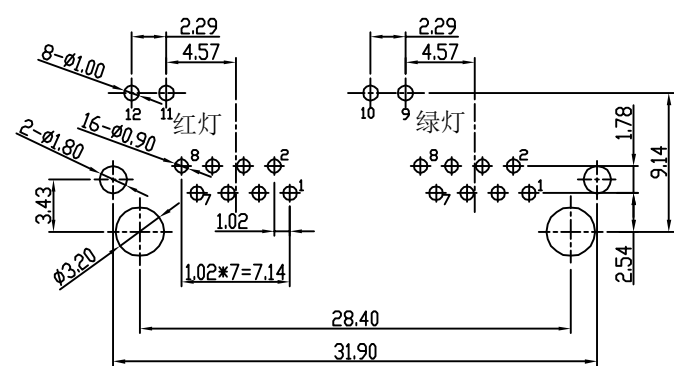
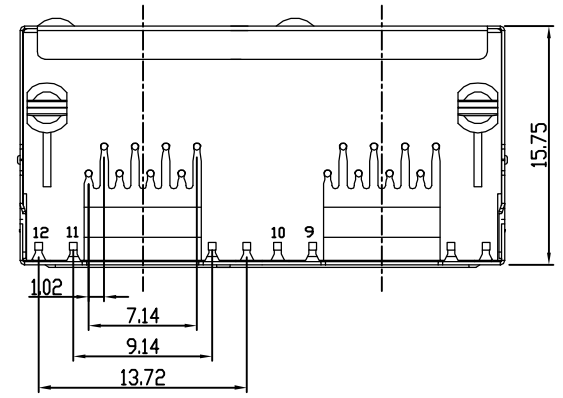
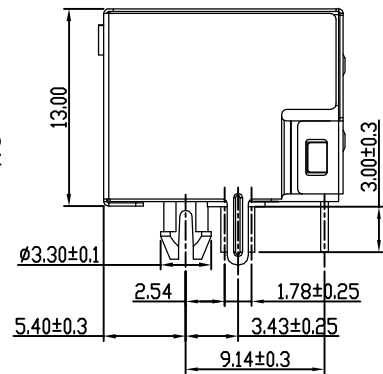
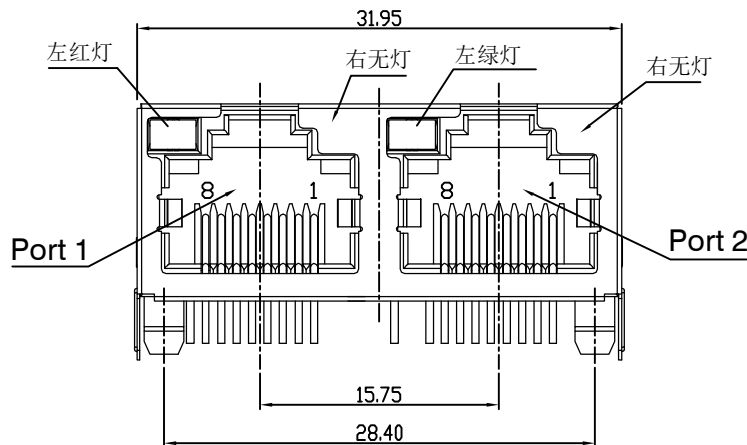
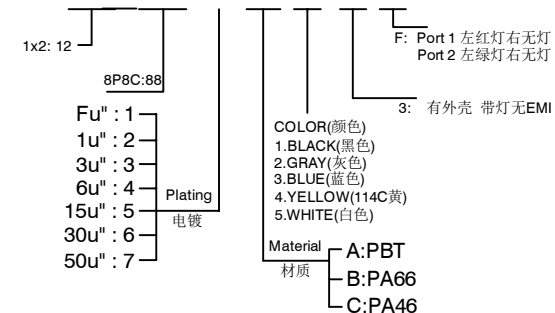
1. HOUSING MATERIAL: SEE PART NUMBER.
2. CONTACTS: $\phi 0.46$ mm PHOSPHOR BRONZE, GOLD PLATING OVER NICKEL
3. SHIELD: 0.20 mm THICKNESS COPPER ALLOY WITH NICKEL PLATED.
4. OPERATING LIFE: 750 CYCLES MIN.
5. MATING FORCE: 30N MAX. UNMATING FORCE: 30N MAX.

ENVIRONMENTAL:

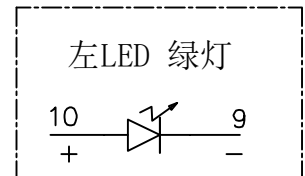
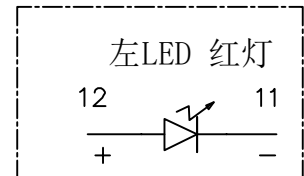
1. STORAGE: -40°C TO $+85^{\circ}\text{C}$
2. OPERATION: -40°C TO $+85^{\circ}\text{C}$

PART NUMBER:

5J-XX 88 X X X 3-F



Recommend PCB Layout
(Jack Top View)
TOLERANCES: ± 0.05



DETACHED LISTS	MM (INCH)	绘图 (Designed)	MIN-D 2020-05-22
	公差 TOLERANCES	审核 (Checked)	
	MM	批准 (Approved)	
	角度 (ANGLES) $\pm 1.5^{\circ}$	材料 (Material)	SEE NOTES
	第三视图	比例 (SCALE)	1:1

XWJ 东莞市欣旺久电子有限公司 XIN WANG JIU Electronics Co.,Ltd			
系列 (SERIES)	名称 (NAME)		
RJ	5J 8P8C 1X2 全包 带灯左红-左绿		
图号 (DWG NO.):	料号 (PART NO.):	版本 (REV.)	A0
料号 (PART NO.):	5J-XX88XXX3-F	版本 (REV.)	A0
单位 (UNIT):	MM	共 (SHEET)	1 页 第 (OF) 1 页